





# 613


## Pre-set Fully Automatic Case Sealer


-  **Low Cost of Ownership**

The Endline 613 is designed to give you the best possible value for your investment through maximum productivity with minimal stoppage time for problem-solving or case size changes.
-  **Interchangeable Tapeheads**

The 613 includes tape units which are extremely easy to load into the machine and to remove. The tape units are easy to thread with tape to keep downtime to a minimum. The tape units are also interchangeable for top and bottom offering even more flexibility.
-  **Robust Construction**

High quality components housed in a robust chassis ensure minimal servicing and enable 24 hour operation. All our case tapers are designed for the rigours of typical end-of-line packaging environments.
-  **Ease of Operation**

The 613 has simple mechanical operation and clear access for easy cleaning and maintenance. It is designed to be operator friendly with simple controls and is quick and easy to adjust to case size changes.
-  **Unique spring-loaded side belt driven system**

This ensures that there is no slippage or bunching of cases often found with other systems. This drive mechanism is suitable for both light weight small cases and larger heavier cases.
-  **Extended Warranty**

Two year fully comprehensive warranty for peace of mind and reduced cost of ownership.



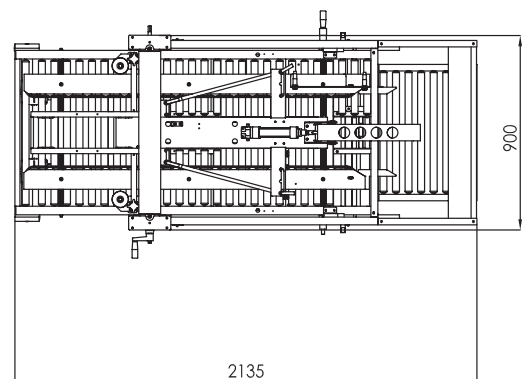
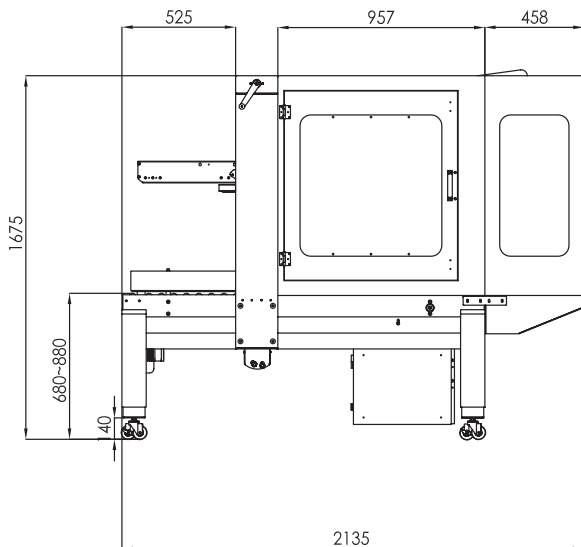
## 613

Pre-set  
Fully Automatic  
Case Sealer

### Options include:

- No tape and low tape sensing
- Visual/audible alarm
- Discharge blocked sensor
- Fully interlocked guards
- Case indexing unit

613 dimensions shown



### Case Dimensions (mm).

	Length	Width	Height
Minimum	120	110	120
Maximum	610	500	500

### Note:

- Machine is fully CE certified.
- Speeds up to 30 cases per minute subject to case size.

### Electrical Supply

- Single Phase
- 240V, 50Hz
- 450W

### Tape Supply

- Standard: up to 50mm

### Machine Finish

- Mild steel Painted RAL 9010

### Pneumatics

- 33 L/min 6KG
- Pressure setting: 6kg/cm<sup>2</sup>
- Connection Size 8mm

© Endoline reserves the right to change specifications without prior notice.

### Endoline Machinery Limited

Stratton Business Park, London Road Biggleswade, Bedfordshire SG18 8QB United Kingdom  
Telephone: +44 (0) 1767 316422 Facsimile: +44 (0) 1767 318033 E-mail: sales@endoline-automation.com

