



# 251

## Fully-Automatic Case Erector



### Dual Opposing Vacuum Case Opening

This unique design feature ensures that each case is opened positively from both sides. It ensures the efficient and reliable opening of cases, and overcomes problems that can be associated with stiff board and glue migration from the manufacturer's joint.



### Low Cost of Ownership

The Endline 251 Case Erector is designed to give you the best possible value for your investment through maximum productivity with minimal stoppage time for problem-solving or case size changes.



### Robust Construction

High quality components, housed in a robust, computer designed chassis allow for minimal servicing. Designed for the rigours of typical end-of-line packaging environments.



### Compact

With a surprisingly compact footprint these machines will fit in to areas with restricted floor space or areas not normally suited to the installation of large or bulky machinery.



### Easy to Use

The 251 Case Erector is designed with clear access, simple controls and quick to adjust to size changes. The machines are operator friendly and allow for quick and easy size change, cleaning and maintenance to ensure minimal machine down time.



### Extended Warranty

Two year fully comprehensive warranty for peace of mind and reduced cost of ownership.





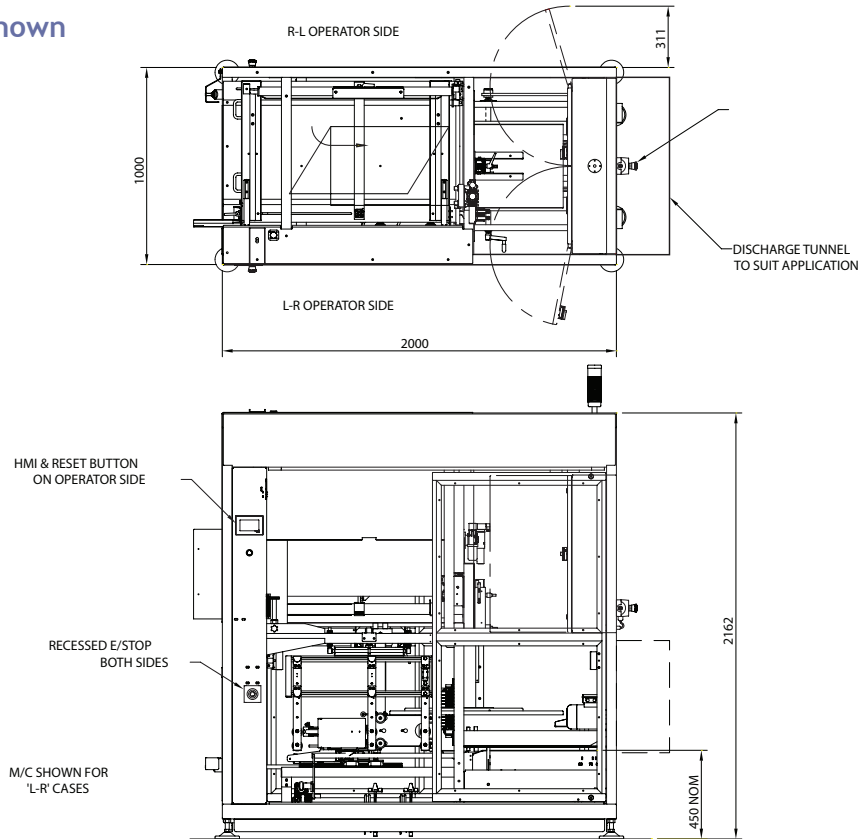
## 251

Fully-Automatic  
Case Erector

### Options include:

- Low hopper sensing.
- Low tape and no tape sensing.
- Visual/audible failure alarm.

### 251 dimensions shown



### Case Dimensions (mm).

	Length	Width	Height
300 Minimum	200	200	200
Maximum	600	400	500

### Note:

- Case speeds subject to case size.
- Machine can be modified for cases outside case size range. Please contact Endline to advise.

### Electrical Supply

- Three phase:  
3/ 380-415 V 50Hz

### Machine Finish

- Mild steel, painted RAL 9010
- Stainless Steel 304 construction.

### Tape Size

- Standard: up to 50mm

### Pneumatics

- SMC 5.5 bar, 330 L/min

### Speed

- 10 cases per minute

© Endline reserves the right to change specifications without prior notice.

### Endline Machinery Limited

Stratton Business Park, London Road Biggleswade, Bedfordshire SG18 8QB United Kingdom  
Telephone: +44 (0) 1767 316422 Facsimile: +44 (0) 1767 318033 E-mail: sales@endline-automation.com

